

# Gas and Air Cocks

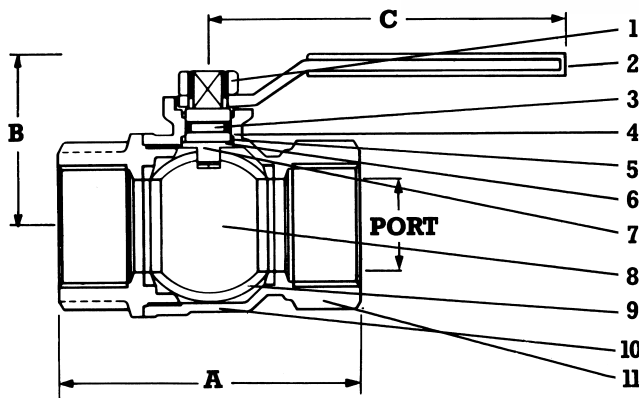
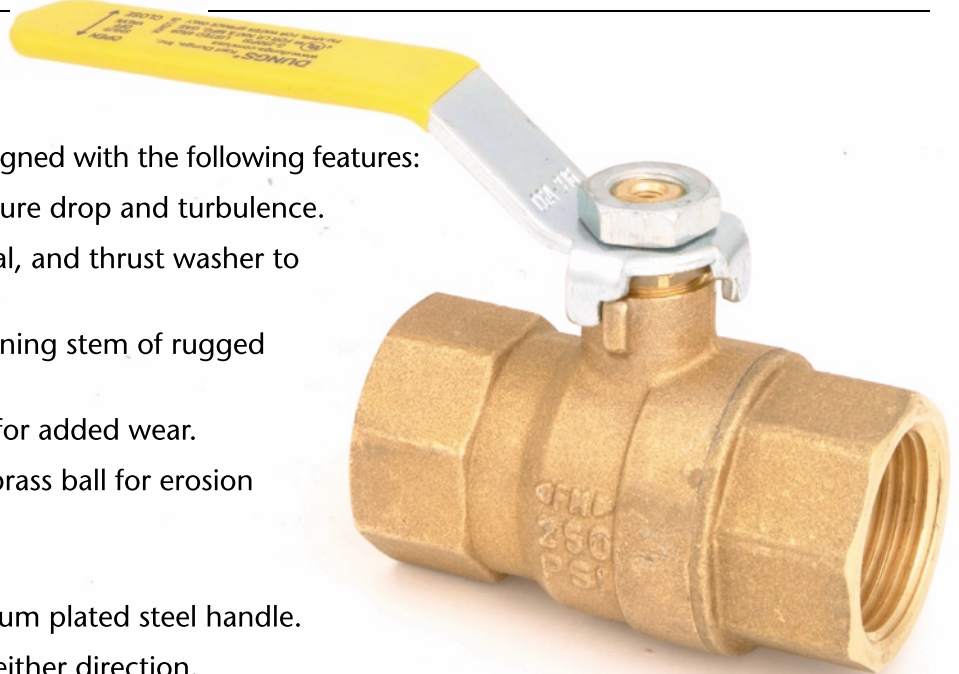
AC929A1

## Model PB80

### Description

These gas and air cocks are designed with the following features:

- Large ports to minimize pressure drop and turbulence.
- Teflon seats, stern packing seal, and thrust washer to assure long life.
- Bottom loaded, pressure-retaining stem of rugged construction.
- Adjustable stern gland screw for added wear.
- Self-cleaning chrome-plated brass ball for erosion resistance and durability.
- Fast, quarter-turn operation.
- Non-heat vinyl grip on cadmium plated steel handle.
- Can be installed with flow in either direction.



### Dimensions

DP No.	Size	Port	A	B	C
111701	1/4"	0.3149	1.6929	1.1023	1.6535
111702	3/8"	0.3937	1.9409	1.2913	3.0708
111703	1/2"	0.5905	2.3503	1.4212	3.0708
111704	3/4"	0.7874	2.6850	1.8661	3.7795
111705	1"	0.9842	3.2047	2.0236	3.7795
111706	1-1/4"	1.2598	3.7401	2.2204	3.7795
111707	1-1/2"	1.5748	4.0905	2.7795	5.4330
111708	2"	1.9685	4.9566	3.0748	5.4330

### Materials Specification

Item	Name	Material
1	Handle Nut	Cadmium Plated Steel
2	Handle (Vinyl Insulated)	Cadmium Plated Steel
3	Packing Gland	Brass
4	Stem Packing	P.T.F.E.*
5	Thrust Washer	P.T.F.E.*
6	Stem O-Ring	Nitrile Rubber
7	Stem	Hard Chromium Plated Brass
8	Ball	Hard Chromium Plated Brass
9	Seats	P.T.F.E.*
10	Body	Forged Brass
11	End Adapter	Forged Brass

P.T.F.E.\* is Polytetrafluoroethylene (Teflon)

### Approvals



(1/2" & 1/4" sizes)  
1/2" & 3/4" Tested to  
ANSI/ASME B16.33



Conforms to Fed.  
Spec WW-V-35B

