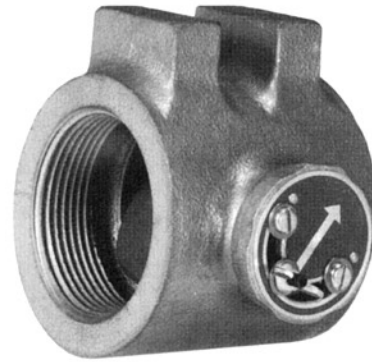


Butterfly Valves Threaded

AV947A

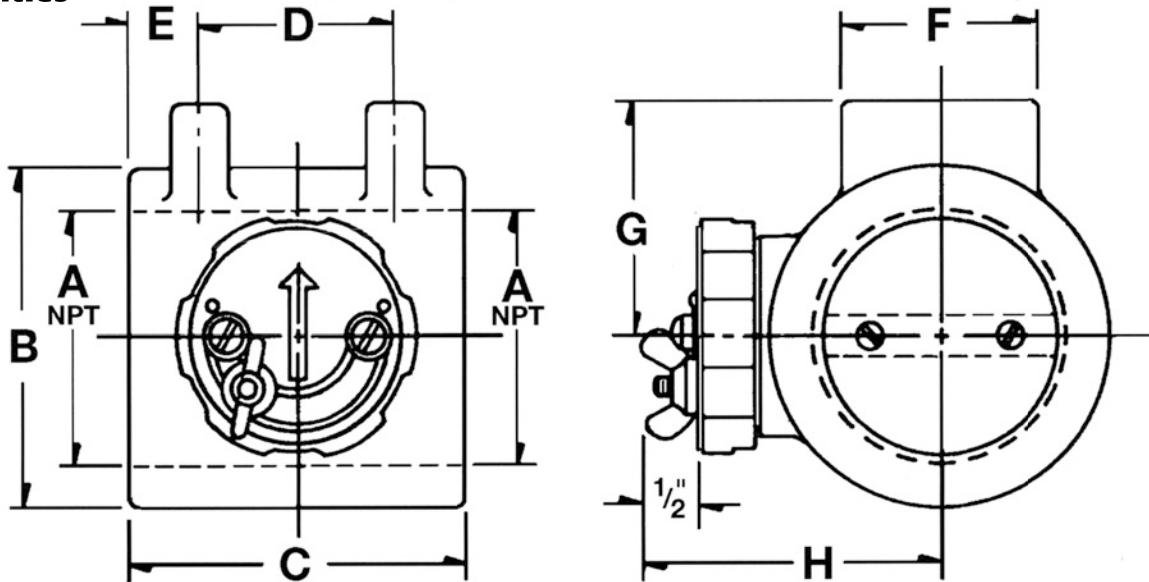
Features

- Economical manual flow control valve.
- For most fuel gases and air.
- High pressure operation - rated to 25 psig.
- Double bearing shaft - positive alignment.
- "O" ring sealed shaft.
- Thumb screw lock - holds disc position
- Adjustable limit stops - both high and low flow.
- Disc position indicator on name plate.
- Cast iron body and steel disc.
- Large, easy-grip dial handle.



8 TBV thru 48 TBV

Capacities



Model Number	A	B	C	D	E	F	G	H	Weight	
									Pounds	Kgs.
6 TBV	3/4	1-3/4 HEX	2-1/2	--	-	-	-	-	1.5	.81
8 TBV	1	2-1/16	2-3/8	1	11/16	1-1/2	1-1/2	2-1/4	2.2	1.00
10 TBV	1-1/4	2-5/16	2-1/2	1	3/4	1-1/2	1-3/4	2-3/8	2.5	1.14
12 TBV	1-1/2	2-1/2	2-5/8	1-3/4	7/16	1-1/2	1-3/4	2-1/2	2.4	1.09
16 TBV	2	3	3	1-3/4	5/8	1-3/4	2-1/16	2-3/4	3.4	1.54
20 TBV	2-1/2	3-13/16	3-1/2	1-3/4	7/8	2	2-3/4	3-1/4	6.6	3.00
24 TBV	3	4-1/2	3-7/8	1-3/4	1-1/16	3	3	3-3/8	9.3	4.22
32 TBV	4	5-3/8	4-1/4	1-3/4	1-1/4	3-3/4	2-13/16	3-7/8	9.2	4.18
48 TBV	6	7-7/8	5-1/8	2-1/4	1-7/16	5	4-1/2	5-3/8	27.1	12.30