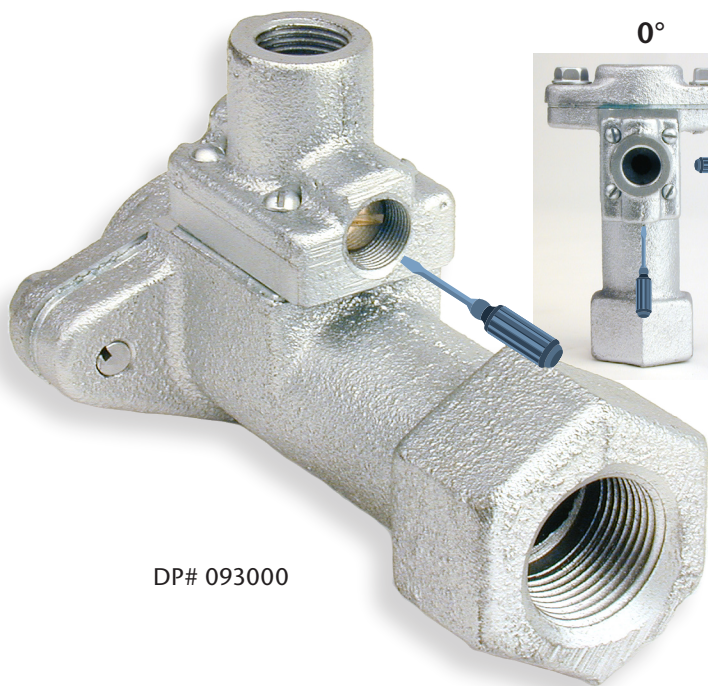
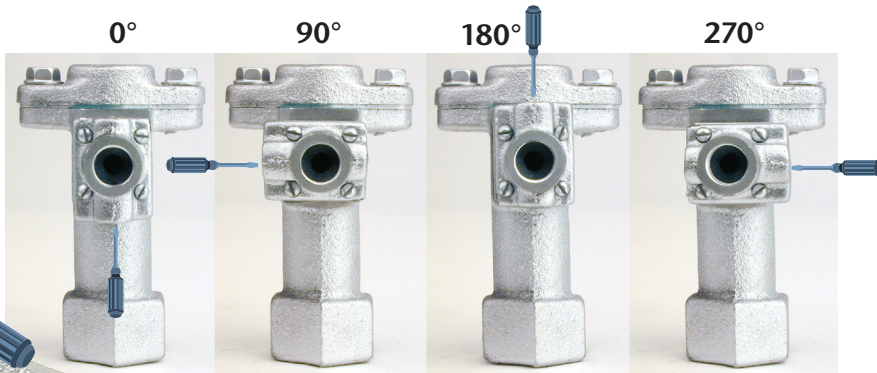


Unimixer® 66

AU966B1



DP# 093000



The ratio adjustment assembly can be mounted in any of the four positions shown for easy access.

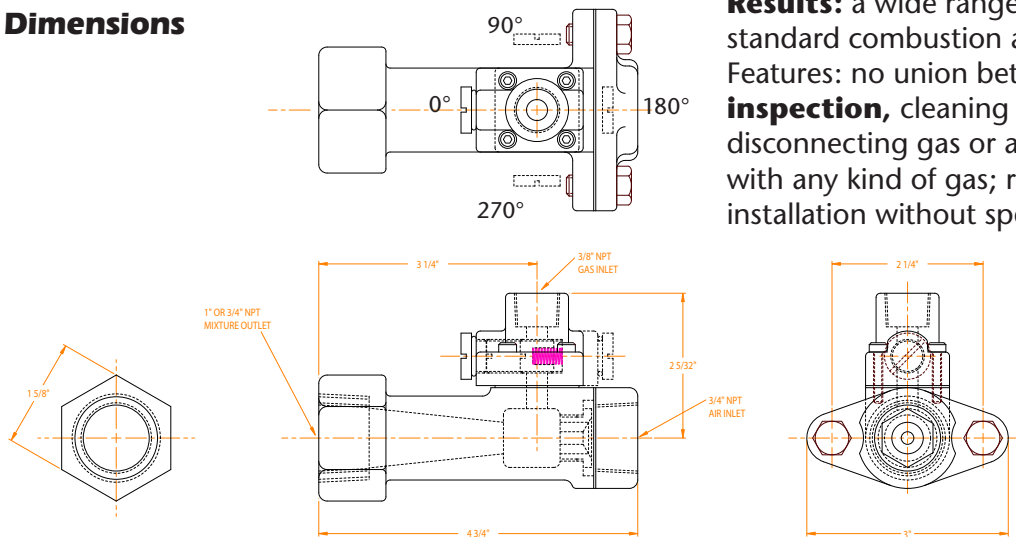
Description

The Flynn Unimixer® is a proportional mixing device. It utilizes air pressure to entrain combustible gas and deliver the mixture to burners. It offers high mixture pressures and accurate air-gas proportions at all firing rates when utilized with zero pressure gas.

Results: a wide range of operation with standard combustion air pressure.

Features: no union between gas and air lines; **inspection,** cleaning and changing without disconnecting gas or air lines; suitable for use with any kind of gas; right, left, up or down installation without special parts.

Dimensions



Product Data

Style	Orifice	Capacities at various Combustion Air Pressures			
		4 oz.	8 oz.	12 oz.	16 oz.
66	7	15,500	22,900	27,400	32,000
66	8	20,000	27,900	38,000	43,000
66	9	26,000	35,000	46,000	54,500
66	10	34,000	46,000	58,000	67,500
66	11	38,000	56,000	70,000	82,000
66	12	48,000	69,000	84,000	98,000

To order you must specify orifice size and orientation of ratio assy:

DP Number +Style- Orifice-Orientation: 093000 66-↑↑-↑↑↑: example 093000 66-08-180