

Balanced Zero Gas Regulators

AR927A1

Description

Flynn balanced zero regulators feature a rugged, large diaphragm actuated valve assembly. Each is sensitively balanced at near zero pressure. A small pressure differential across the main diaphragm initiates gas flow. Gas supply is system-demand-modulated by signals from a Flynn Unimixer or controlled pressure from an external source. Even with slight pressure variations, Flynn regulators will deliver gas at the appropriate pressure. The unique design of the unit assures high accuracy over full flow range.



Capacities

DP No.	Model No.	Inlet	Outlet	Pipe Size		SCFH Gas Flow @ 4.0" H ₂ O Pressure Drop	
				Natural	Propane	0.6 Sp. Gr.	1.5 Sp. Gr.
160180	6-BZR	3/4"	3/4"	650	410		
160190	8-BZR	1"	1"	1,290	820		
160200	12-BZR	1-1/2"	1-1/2"	2,580	1,640		
160202	16-BZR	2"	2"	4,520	2,860		
160204	20-BZR	2-1/2"	2-1/2"	6,450	4,100		
160206	24-BZR	3"	3"	10,300	6,500		

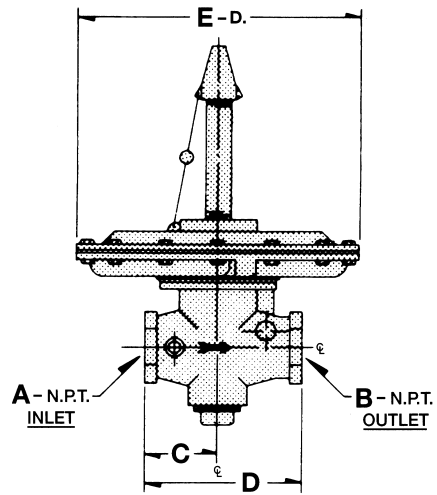
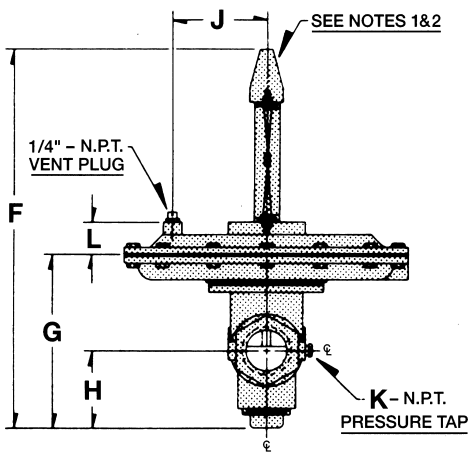
Specifications

Accuracy:	Low-Flow + 0.1" H ₂ O	Full-Flow + 0.3" H ₂ O
Turndown:	up to 200:1	
Operating temperature:	to 150°F	
Maximum inlet pressure:	2.0 PSIG	
Maximum pressure differential:	14.0" H ₂ O	
Sensitivity:	Responds to signal pressure differential as low as 0.04" H ₂ O	

Balanced Zero Gas Regulators

AR927A2

Dimensions 3/4" to 3" sizes



Model Number												Weight	
	A	B	C	D	E	F	G	H	J	K	L	lbs.	Kgs.
6-BZR	3/4	3/4	2-1/2	5	8-1/4	11-1/4	4-3/4	1-7/8	2-3/4	1/8	1-1/4	6.50	2.95
8-BZR	1	1	2-1/8	4-3/4	9-3/4	11-1/2	4-3/4	2	3-3/8	1/8	1-1/4	8.50	3.9
12-BZR	1-1/2	1-1/2	3	6-1/2	11-3/4	15-7/8	7-1/4	3-1/4	3-7/8	1/4	1-3/8	15.50	7.0
16-BZR	2	2	3-5/8	7-5/8	11-3/4	16	7-5/8	3-5/8	3-7/8	1/4	1-3/8	20.00	9.1
20-BZR	2-1/2	2-1/2	4	8-1/2	14	17-5/8	8-3/4	3-1/2	3-5/8	1/4	1-7/8	50.00	22.75
24-BZR	3	3	5-3/4	11-1/2	14	20-1/4	10-3/8	4-3/8	3-5/8	1/4	1-7/8	60.50	27.5