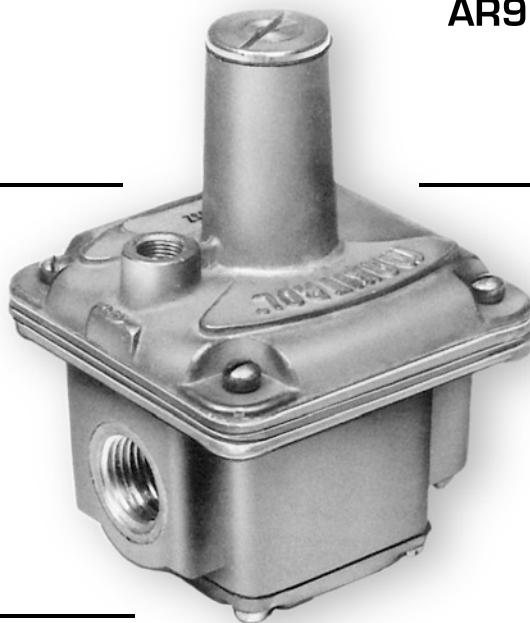


Zero Gas Regulator 4 ZR 1/2" x 1/2"

AR925A

Description

The FLYNN Maxitrol Zero Gas Regulator reduces incoming gas pressure to zero or atmospheric pressure. Flow occurs as demanded by the suction created in the air gas mixer. These regulators are designed to deliver zero pressure regardless of volume variations and fluctuations in the service line supply and will permit maximum flow with accurate regulation over the complete capacity range.



Specifications

DP No.	Model No.
160100	4 ZR (R500 SZ)
Maximum Inlet Pressure	1 PSI
Capacity	200,000 BTU/hr. @ 0.3" pressure drop. Suitable for natural and LPG gases

Dimensions

